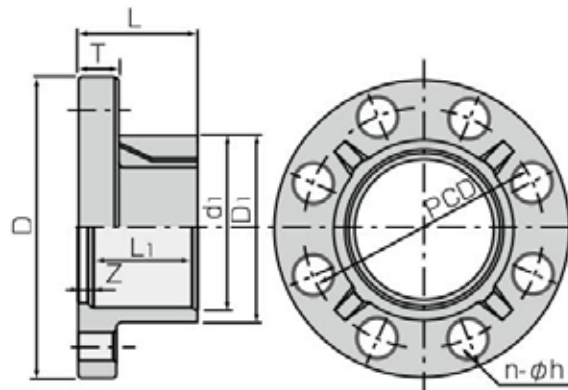
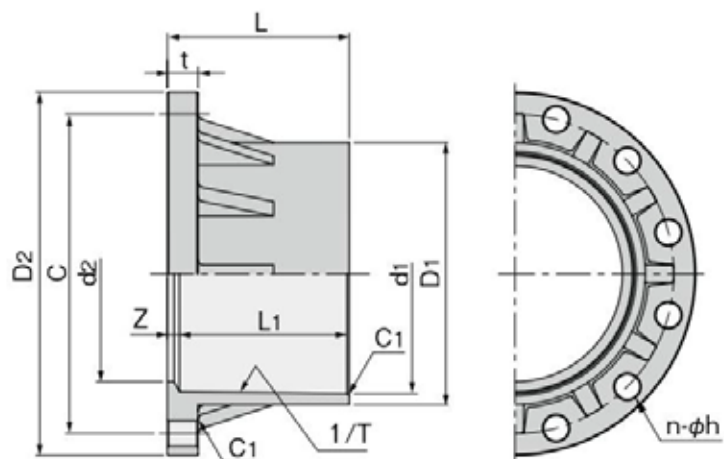


## TS Flange JIS10K



13~150



200~300

### HI-PVC

単位Unit : mm

呼び径 Size		d <sub>1</sub>	L <sub>1</sub>	D <sub>1</sub>	L	Z	PCD	D	T	n-φh	重量 Weight (kg)
A	B										
13	3/8	18.4	26	26	31	5	65	90	14	4-15	0.120
15	1/2	22.4	30	31	35	5	70	95	14	4-15	0.130
20	3/4	26.5	35	35	40	5	75	100	14	4-15	0.150
25	1	32.6	40	42	45	5	90	125	14	4-19	0.235
30	1-1/4	38.6	44	48	50	6	100	135	16	4-19	0.310
40	1-1/2	48.7	55	61	61	6	105	140	16	4-19	0.360
50	2	60.5	63	73	70	7	120	155	20	4-19	0.520
65	2-1/2	76.5	61	88	70	9	140	175	22	4-19	0.710
80	3	89.6	64	102	72	8	150	185	22	8-19	0.745
100	4	114.7	84	132	90	6	175	210	22	8-19	1.140
125	5	140.9	104	158	114	10	210	250	24	8-23	1.670
150	6	166.0	132	186	142	10	240	280	26	8-23	2.530
200	8	217.5	155	238	166	11	290	330	28	12-23	3.540
250	10	269	185	289	198	13	355	400	30	12-25	5.470
300	12	319	185	344	203	18	400	445	32	16-25	8.000