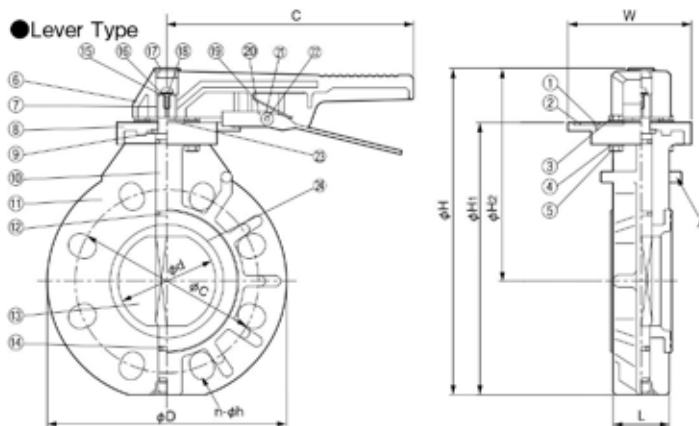




- Reliable sealing performance as spherical disc and preventive flange design against over-tightening.
- Changeable operating direction of lever handle into opposite even after installation.
- Exchangeable into gear type or automatic type by dismantling lever handle and indicator plate.
- Positioning pin for easy piping work (JIS10K)
- Controllable flow in 12 levels. Lockable lever type which has key hole available.



Parts List

No.	Part Name	Q'ty	Material	No.	Part Name	Q'ty	Material
①	Screw	3	SUS304	⑬	Disc	1	PP or PVDF
②	Lock Plate	1	SUS304	⑭	O-ring	1	EPDM or FKM
③	Bolt	2	SUS304	⑮	Washer	1	SUS304
④	Washer	4	SUS304	⑯	Spring Washer	1	SUS304
⑤	Nut	2	SUS304	⑰	Cap	1	PP
⑥	Handle	1	ABS	⑱	Screw	1	SUS304
⑦	Handle Insert	1	SUS304	⑲	Spring Plate	1	SUS304-CSP
⑧	Indicator Plate	1	PVC	⑳	Handle Lever	1	SUS304
⑨	Thrust Ring	1	SUS304	㉑	Cover	1	PP
⑩	Stem	1	SUS4202 or SUS316	㉒	Lock Pin	1	SUS304
⑪	Body	1	PVC, PP or PVDF	㉓	Handle Washer	1	PP
⑫	O-ring	2	EPDM or FKM	㉔	Seat ring	1	EPDM or FKM

Size Lever Type

Size		d	L	H	H1	H2	C	W	D	Flange (JIS 10K)		Weight (kg/pc)			Q'ty per Carton
A	B									C	n-φh	PVC	PP	PVDF	
40	1/2	45	33	217	174	148	202	101	140	105	4-19	1.2	1.1	1.3	2
50	2	57	43	232	189	156	202	101	155	120	4-19	1.4	1.2	1.6	2
65	2 1/2	71	46	253	210	166	202	101	178	140	4-19	1.7	1.5	1.9	2
80	3	80	46	268	222	173	202	101	196	150	8-19	2.0	1.8	2.3	2
100	4	100	52	306	263	192	245	123	229	175	8-19	3.0	2.7	3.4	2
125	5	125	56	347	294	220	310	155	254	210	8-23	4.6	4.1	5.3	2
150	6	150	60	372	319	229	310	155	286	240	8-23	5.5	4.8	6.5	2
200	8	198	71	466	399	297	400	200	343	290	12-23	8.9	8.0	10.5	2

•Only PVC JIS10K type has centering pin A.
•Bolt holes multi-conforming to JIS10K, ANSI, and DIN standards.

Usable Liquid Temperature & Maximum Working Pressure

Material	Usable Temperature (°C)	max. Working Pressure at Room Temp (MPa)
PVC	0~50	1.0
PP	0~80	1.0
PVDF	0~120	1.0

Conforming Standard

Connection	Standard	Classification
Flange	JIS10K	JIS B 2220
	ANSI	ANSI B16.5
	DIN/ISO	DIN EN 1092-1 PN-10

*For flange, dimension of bolt holes conforming the standards

Important Notes

Fluid containing slurry, solid, sediment, or crystallized fluid might disable sealing.