

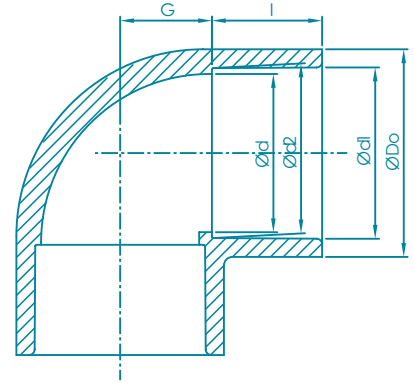
SCH 80 UPVC Fittings

SCH 80 UPVC 90° Elbow 彎頭 (Slip×Slip)

Size	Outside Dia	Socket Type			Structure Diameter	
	D0	d1	d2	I	d	G
1/2"	31.50	21.54	21.23	22.22	16.50	12.80
3/4"	38.00	26.87	26.57	25.40	22.00	15.30
1"	46.00	33.65	33.27	28.58	28.00	18.00
1-1/4"	55.00	42.42	42.04	31.75	35.00	23.00
1-1/2"	60.00	48.56	48.11	34.93	43.00	26.00
2"	75.00	60.63	60.17	38.10	54.00	32.00
2-1/2"	90.00	73.38	72.85	44.45	69.00	38.00
3"	107.00	89.31	88.70	47.63	84.00	48.00
4"	133.00	114.76	114.07	57.15	105.00	59.00
5"	163.50	141.81	141.05	66.68	136.00	80.00
6"	191.00	168.83	168.00	76.20	150.00	89.00
8"	246.00	219.84	218.69	101.60	200.00	115.00
10"	306.50	273.81	272.67	127.00	265.00	150.00
12"	364.00	324.61	323.47	152.40	315.00	180.00
14"	396.50	356.49	355.22	*180.00	346.00	248.00

備註：假如有註記“*”，則表示該項，沒有符合ATSM標準。

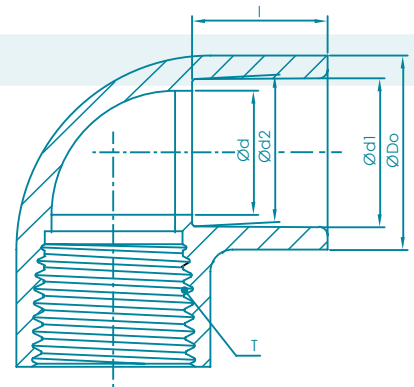
(單位:mm)



SCH 80 UPVC 90° Elbow 龍口 (Slip×NPT)

Size	Outside Dia	Socket Type			Structure Diameter	
	D0	d1	d2	I	d	NPT (thd./in)
1/2"	30.5	21.54	21.23	22.22	16	14.0
3/4"	38.0	26.87	26.57	25.40	22	14.0
1"	46.0	33.65	33.27	28.58	28	11.5
1-1/4"	55.0	42.42	42.04	31.75	35	11.5
1-1/2"	60.0	48.56	48.11	34.93	43	11.5
2"	75.0	60.63	60.17	38.10	54	11.5

(單位:mm)



SCH 80 UPVC 90° Elbow 彎頭(NPT×NPT)

Size	Outside Dia	Structure Diameter	
	D0	d	NPT(thd./in)
1/2"	30.5	16	14.0
3/4"	38.0	22	14.0
1"	46.0	28	11.5
1-1/4"	55.0	35	11.5
1-1/2"	60.0	43	11.5
2"	75.0	54	11.5

(單位:mm)

